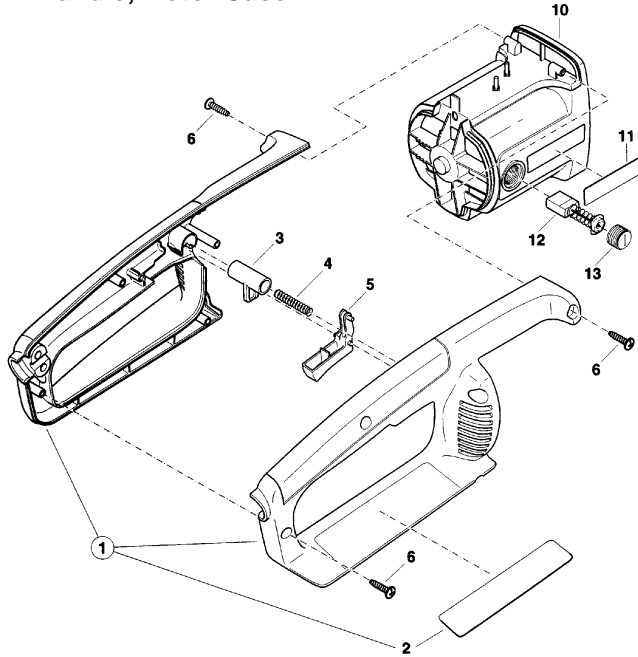




**14.0A CHAIN SAW - 14"**  
**15.0A CHAIN SAW - 16"**

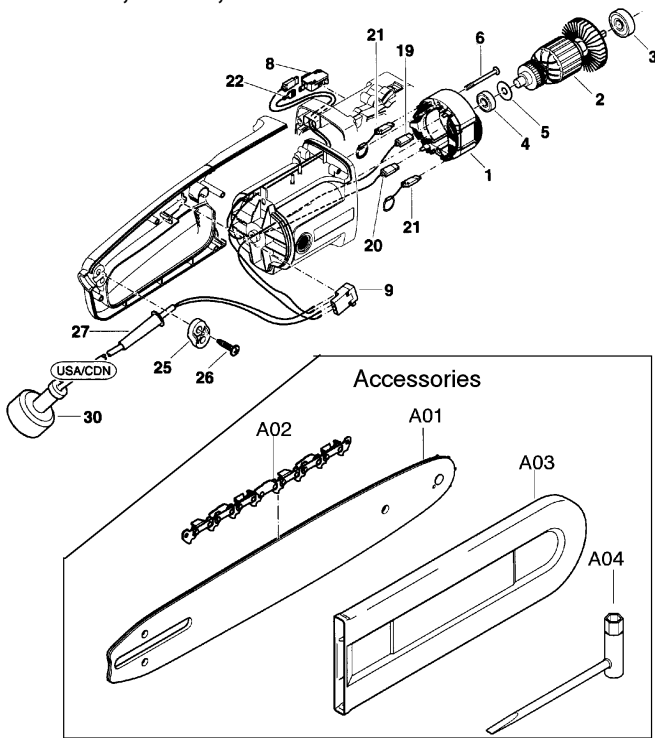
**Model UC3500(DOL)**  
**Model UC4000(DOL)**

**Handle, Motor Case**



Item No.	Part No.	No. Used	Description
1	225 310 620	1	Handle CPL
2	980 114 400	1	Label
3	<b>225 144 010</b>	1	Locking Button
4	<b>225 145 010</b>	1	Spring
5	225 271 010	1	Power Switch Lever
6	913 540 185	6	Screw 4x18
10	225 111 660	1	Motor Case
11	980 114 348	1	Label
12	957 802 410	2	Carbon Brush (2pcs/Set)
13	970 802 420	2	Cover for Carbon Brush

**Motor, Cable, Switch**

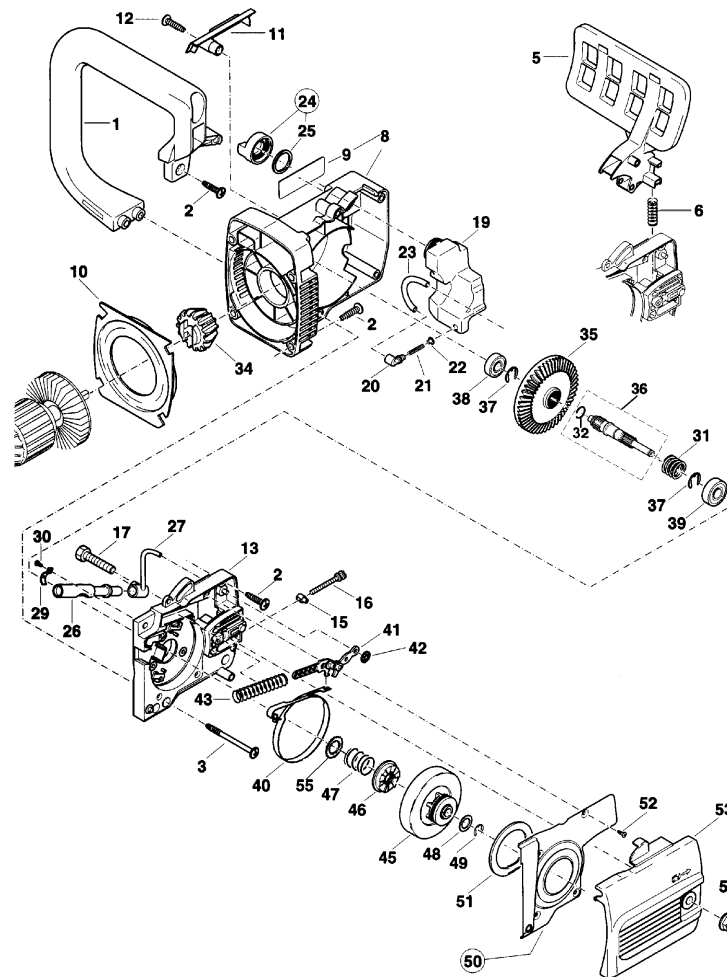


Item No.	Part No.	No. Used	Description
1	970 802 220	1	Stator Assy
2	970 802 320	1	Rotor Assy
3	960 103 126	1	Ball Bearing
4	960 102 094	1	Ball Bearing
5	970 802 610	1	Distance Piece
6	913 550 555	2	Screw M5x55
8	970 001 200	1	Switch
9	975 001 200	1	Push Button
19	970 311 390	1	Cable, Yellow R9
20	970 311 400	1	Cable, White R10
21	970 311 410	2	Cable, Black R11
22	970 311 420	1	Cable, Orange R12
25	<b>225 152 060</b>	1	Traction Relief (Old 225 152 050)
26	913 540 185	2	Screw 4x18
27	225 152 010	1	Break Protection
30	<b>970 102 221</b>	1	Cable with Plug (Old 970 102 140, 970 102 220)

**Accessories**

A01	442 035 661	1	Sprocket Nose Bar 14" (UC3500)
	442 040 661	1	Sprocket Nose Bar 16" (UC4000)
A02	528 092 652	1	3/8" Low Vibration Chain 14" 50 Gauge (UC3500)
	528 092 657	1	3/8" Low Vibration Chain 16" 50 Gauge (UC4000)
A03	952 100 633	1	Chain Protection Cover
A04	941 713 001	1	Universal Wrench

## Tubular Handle, Gear, Oil Pump, Clutch, Chain Brake



Item No.	Part No.	No. Used	Description	Item No.	Part No.	No. Used	Description
1	<b>225 310 021</b>	1	Tubular Handle	31	021 245 040	1	Worm
2	913 550 255	8	Screw 5x25	32	<b>930 912 101</b>	1	Spring Ring (Add)
3	913 550 555	2	Screw 5x55	34	225 222 010	1	Pinion Z=14
5	225 213 110	1	Hand Guard CPL	35	225 221 011	1	Gear Wheel CPL Z=43 (Old 225 221 010)
6	225 213 060	1	Spring for Hand Guard	36	225 221 020	1	Shaft (Type 1)
8	225 211 310	1	Gear Housing Left CPL		<b>225 221 030</b>	1	Shaft Com. (Type 2)
9	980 114 399	1	Label	37	930 110 120	2	Safety Washer
10	225 118 010	1	Air Guide Plate	38	960 101 084	1	Ball Bearing 608 2Z
11	<b>225 212 012</b>	1	Cover	39	960 102 124	1	Ball Bearing 6201 2Z
12	913 540 185	1	Screw 4x18	40	225 213 050	1	Brake Spring
13	<b>225 211 015</b>	1	Gear Housing Right (Old 225 211 011, 225 211 013 & 225 211 014)	41	028 213 532	1	Brake Spring Holder CPL
15	001 213 042	1	Nut With Pivot (Old 001 213 041)	42	930 304 030	1	Clamp Washer
16	901 505 354	1	Screw M5x35	43	028 213 521	1	Spring
17	900 208 304	1	Hexagonal Screw M8x30	45	225 223 110	1	Clutch Drum CPL 3/8"
19	225 244 010	1	Oil Tank	46	225 229 010	1	Claw coupling
20	<b>225 243 011</b>	1	Connection for Tank	47	<b>225 184 012</b>	1	Pressure Spring (Old 225 184 010)
21	<b>225 245 060</b>	1	Pressure Spring(Old 021 245 060)	48	<b>221 229 180</b>	1	Washer
22	021 245 100	1	Plug	49	930 106 070	1	Safety Washer
23	965 452 380	1	Tube(Total 93mm) (Sold in Meter)	50	225 282 011	1	Cover Plate (Old 225 282 300)
24	<b>205 114 202</b>	1	Tank Plug CPL	51	965 527 070	1	Gasket
25	<b>963 100 081</b>	1	Gasket	52	915 835 100	4	Screw 3.5x9.5
26	021 245 003	1	Oil Pump CPL	53	<b>225 213 102</b>	1	Sprocket Guard (Old 225 213 101)
27	225 242 010	1	Tube	54	923 208 004	1	Hexagonal Nut M8
29	203 245 001	1	Holder for Oil Pump	55	<b>225 189 010</b>	1	Washer
30	915 135 100	1	Screw 3.5x9.5				

2 Model UC3500

2 Model UC4000